

# AJT

## TIME DELAY/CLASS J



### SMARTSPOT® WITH MAXIMUM CIRCUIT PROTECTION

Amp-trap 2000® SmartSpot® AJT fuses now provide a visual open fuse indicator. With advanced material technology added to the existing product line the AJT fuse provides IEC Type “2” (No Damage) protection to main, feeder, and branch circuits, for all types of loads — yet, they require only half the mounting space needed for 600VAC Class RK fuses. AJT’s time delay characteristics for handling typical in-rush currents, its current limiting ability.

#### Features/Benefits

- **Solid State SmartSpot Indicator**
- **Time delay** for motor starting and transformer inrush
- **300kA interrupting rating** - self-certified, UL witnessed tests
- **Extremely current limiting** for low peak let-thru current
- **Most current limiting UL class fuse**
- **Recommended for Arc Flash energy reduction**
- **Small footprint** requires less mounting space and allows smaller, more economical fuse blocks
- **Easy 2-to-1 selectivity** for prevention of nuisance shutdowns
- **Unique Class J dimensions** prevent replacement errors
- **High-visibility orange label** gives instant recognition
- **Metal-embossed date and catalog number** for traceability and lasting identification
- **Fiberglass body** provides dimensional stability in harsh industrial settings
- **High-grade silica filler** ensures fast arc quenching
- **Optional EI Indicator/Switch mount** for AJT70 to 600 open fuse indication

#### HIGHLIGHTS:

- Smart Spot Indicator
- Time Delay
- Highly Current Limiting
- Arc Flash Mitigating
- DC Ratings
- Optional Mechanical Indicator (70 to 600A fuses)

#### APPLICATIONS:

- Motor Circuits
- Mains
- Feeders
- Branch Circuits
- Lighting, Heating & General Loads
- Transformers
- Control Panels
- Circuit Breaker Back-up
- Bus Duct
- Load Centers
- Note: See Motor Fuse Applications Tables on page L9

#### Ratings

- **AC:** 1 to 600A  
600VAC, 200kA I.R.  
(self certified for 600VAC, 300kA I.R., UL witnessed)
- **DC:** 1 to 600A  
500VDC, 100kA I.R.

#### Approvals

- **AJT (1-600):**
  - UL Listed to Standard 248-8 File E2137
  - DC Listed to UL Standard 248
  - CSA Certified to Standard C22.2 No. 248.8
  - IEC 269-2-1
- **AJT (70-600) EI:**
  - UL Listed to File E60314
  - DC Tested to UL Standard 248



# TIME DELAY/CLASS J FUSES

AJT

## Standard Fuse Ampere Ratings, Catalog Numbers

AMPERE RATING	CATALOG NUMBER	AMPERE RATING	CATALOG NUMBER	AMPERE RATING	CATALOG NUMBER	AMPERE RATING	CATALOG NUMBER
1	AJT1N	4-1/2	AJT4-1/2N	25	AJT25	125	AJT125
1-1/4	AJT1-1/4N	5	AJT5N	30	AJT30	150	AJT150
1-1/2	AJT1-1/2N	5-6/10	AJT5-6/10N	35	AJT35	175	AJT175
1-6/10	AJT1-6/10N	6	AJT6N	40	AJT40	200	AJT200
1-8/10	AJT1-8/10N	6-1/4	AJT6-1/4N	45	AJT45	225	AJT225
2	AJT2N	7	AJT7N	50	AJT50	250	AJT250
2-1/4	AJT2-1/4N	8	AJT8N	60	AJT60	300	AJT300
2-1/2	AJT2-1/2N	9	AJT9N	70	AJT70	350	AJT350
2-8/10	AJT2-8/10N	10	AJT10N	80	AJT80	400	AJT400
3	AJT3N	12	AJT12N	90	AJT90	450	AJT450
3-2/10	AJT3-2/10N	15	AJT15N	100	AJT100	500	AJT500
3-1/2	AJT3-1/2N	17-1/2	AJT17-1/2N	110	AJT110	600	AJT600
4	AJT4N	20	AJT20N				

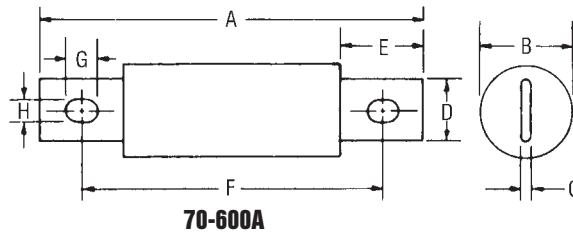
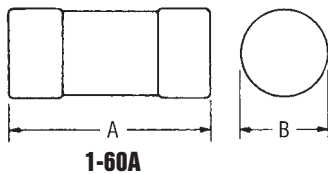
## Recommended Fuse Blocks With Box Connectors for Amp-trap® Class J Fuses

Fuse Ampere Rating	Catalog Number	
	600V OR LESS	
	1 Pole	3 pole
<b>0-30</b>	US3J1I	US3J3I
<b>31-60</b>	US6J1I	US6J3I
<b>61-100</b>	61036J	61038J
<b>101-200</b>	62001J	62003J
<b>201-400</b>	64031J	64033J
<b>401-600</b>	6631J	6633J

A variety of pole configurations and termination provisions is available.



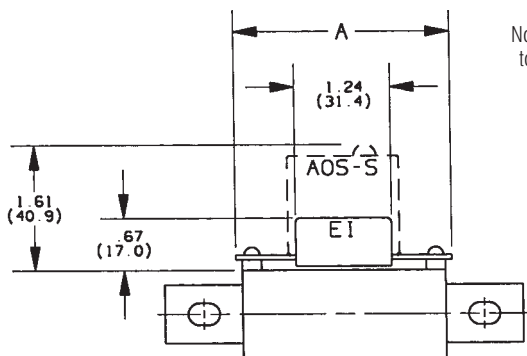
Note: Indicator Not Available (1-7A)



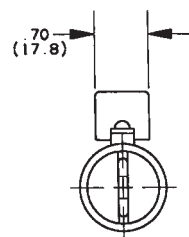
## Dimensions

AMPERE RATING	A		B		C		D		E		F		G		H	
	In.	mm	In.	mm	In.	mm	In.	mm	In.	mm	In.	mm	In.	mm	In.	mm
<b>1-30</b>	2-1/4	57	13/16	21	-	-	-	-	-	-	-	-	-	-	-	-
<b>31-60</b>	2-3/8	60	1-1/16	27	-	-	-	-	-	-	-	-	-	-	-	-
<b>61-100</b>	4-5/8	117	1-1/16	27	1/8	3.2	3/4	19	1	25	3-5/8	92	3/8	10	9/32	7
<b>101-200</b>	5-3/4	146	1-5/8	41	3/16	4.8	1-1/8	29	1-3/8	35	4-3/8	111	3/8	10	9/32	7
<b>201-400</b>	7-1/8	181	2-1/8	54	1/4	6.3	1-5/8	41	1-7/8	48	5-1/4	133	17/32	14	13/32	10
<b>401-600</b>	8	203	2-1/2	64	3/8	9.5	2	51	2-1/8	54	6	152	11/16	18	17/32	13

## Optional Indicator/Microswitch Mount (EI) dimensions:



Note: Fuses with the EI option are designed to work with the AOS-S or AOS-Q add-on Switch, which is ordered separately. See page J7 for details.

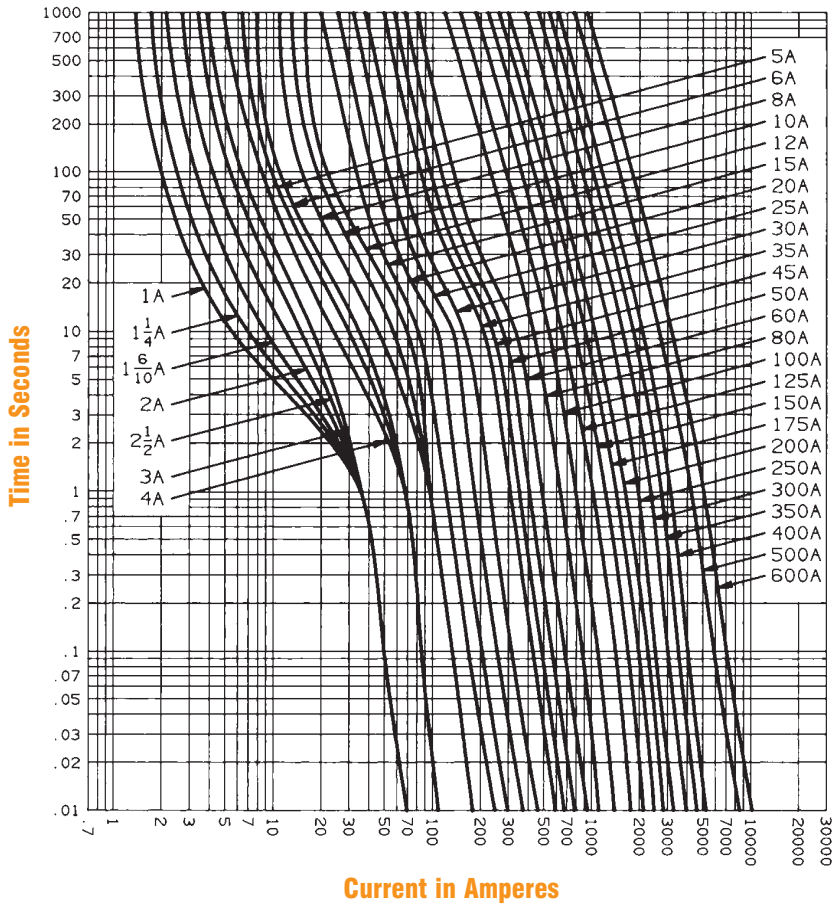


CATALOG NUMBER	A
AJT(70-100)-EI	2.80 (71.0)
AJT(110-200)-EI	3.22 (81.8)
AJT(225-400)-EI	3.24 (82.2)
AJT(450-600)-E <sub>1</sub>	3.61 (91.8)

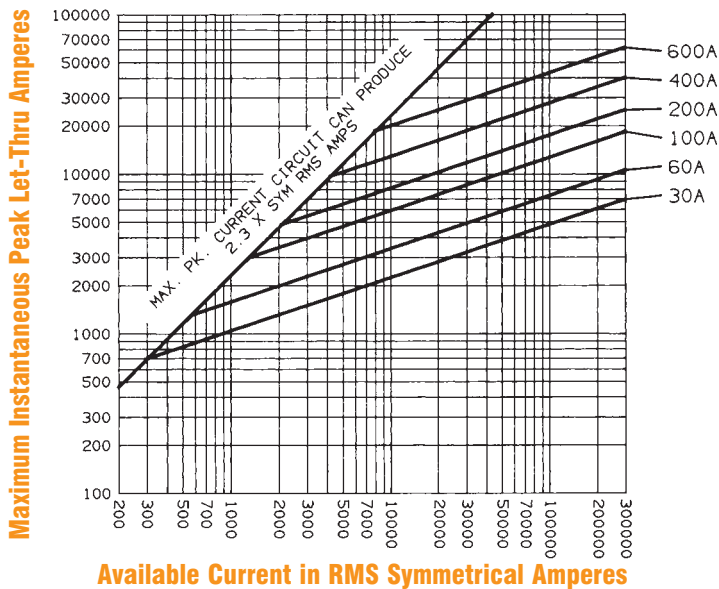
# TIME DELAY/CLASS J FUSES

AJT

Melting Time – Current Data, 600V Fuses – AJT1 to 600



Peak Let-Through Current Data – AJT30 to 600, 600 Volts AC



**Note: See Motor Fuse Application Tables on page L9.**